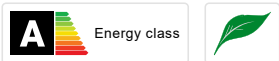

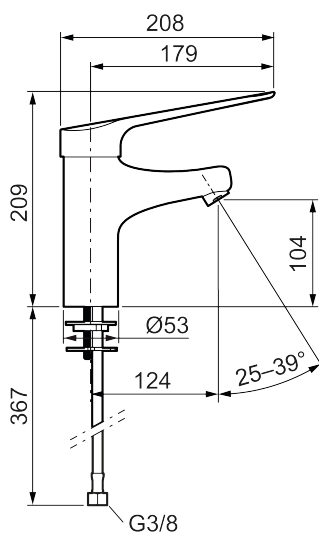




Unique characteristics



Backflow protection unit type 



MEDICARE basin mixer, adjustable aerator

Basin mixer MEDICARE is made from a lead-free material and it has a clean visual design with round, smooth lines, and joints have been kept to a minimum. The mixer lever is 180 mm and has clear colour marks. The mixer also has an extra-long spout to easily access the water jet. The aerator is adjustable so it can easily be adapted for different basins. The mixer also has FM Mattsson's well-known energy-saving solutions and functions such as cold start and soft closing.

About the collection

FM Mattsson MEDICARE collection has been designed in close collaboration with healthcare professionals. A new collection that emphasizes hygiene, accessibility and sustainability and has been developed to meet the specific needs of the healthcare sector and make daily life easier for people with reduced mobility and orientation capacity.

Article number: 32504210 **RSK:** 8275659 **Flow 3 bar:** 5.3 l/m

Description: Chrome, connection nut G3/8"

- Adjustable aerator, constant flow at 200–600 kPa, adjustable angle 25–39°
- Cold Start
- Ceramic cartridge with soft closing function
- Lever: 180 mm
- Adjustable flow control and temperature limiter
- Flexible connection tubes in stainless steel braided Soft PEX® with 3/8" connecting nut, with protective plastic covering for improved hygiene and easier cleaning
- Extra long spout reduces risk of water jet spraying onto the basin's waste. Spout projection 124 mm
- Hygienic design, lever and mixer body without dividing lines
- Lead Free material
- Acoustic group 1 (ISO 3822)
- Hole diameter Ø28-37 mm