
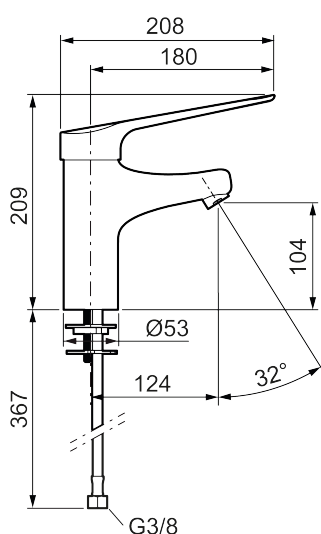




Unique characteristics



Backflow protection unit type 



MEDICARE basin mixer

Basin mixer MEDICARE is made from a lead-free material and it has a clean visual design with round, smooth lines, and joints have been kept to a minimum. The mixer lever is 180 mm and has clear colour marks. The mixer also has an extra-long spout to easily access the water jet. The aerator is angled at 32 degrees, which optimizes the aim of the water jet in the basin. The mixer also has FM Mattsson's well-known energy-saving solutions and functions such as cold start and soft closing.

About the collection

FM Mattsson MEDICARE collection has been designed in close collaboration with healthcare professionals. A new collection that emphasizes hygiene, accessibility and sustainability and has been developed to meet the specific needs of the healthcare sector and make daily life easier for people with reduced mobility and orientation capacity.

Article number: 32504010 **RSK:** 8325274 **Flow 3 bar:** 5.3 l/m

Description: Chrome, connection nut G3/8"

- Cold Start
- Ceramic cartridge with soft closing function
- Lever: 180 mm
- Adjustable flow control and temperature limiter
- Aerator without air admixture, constant flow at 200–600 kPa, angled 32°
- Flexible connection tubes in stainless steel braided Soft PEX® with 3/8" connecting nut, with protective plastic covering for improved hygiene and easier cleaning
- Extra long spout reduces risk of water jet spraying onto the basin's waste. Spout projection 124 mm
- Hygienic design, lever and mixer body without dividing lines
- Lead Free material
- Acoustic group 1 (ISO 3822)
- Hole diameter Ø28-37 mm

PRODUCT DESCRIPTION

MEDICARE basin mixer

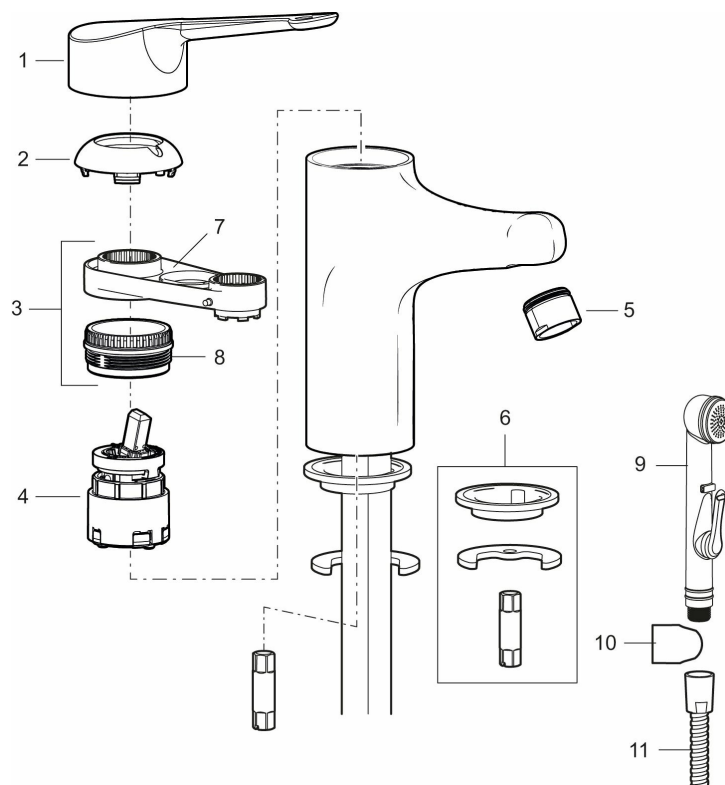
Basin mixer MEDICARE is made from a lead-free material and it have a clean visual design with round, smooth lines, and joints have been kept to a minimum. The mixer lever is 180 mm and has clear colour marks. The mixer also has an extra-long spouts to easily access the water jet. The aerator is angled at 32 degrees, which optimizes the aim of the water jet in the basin. The mixer also has FM Mattsson's well-known energy-saving solutions and functions such as cold start and soft closing.

About the collection

FM Mattsson MEDICARE collection has been designed in close collaboration with healthcare professionals. A new collection that emphasis on hygiene, accessibility and sustainability and has been developed to meet the specific needs of the healthcare sector and make daily life easier for people with reduced mobility and orientation capacity.

Article number: 32504010

RSK: 8325274



Sparepartlist

NO.	ART NO.	RSK	DESCRIPTION
1	S600063	8394131	Lever, complete, L=150 mm
1	S600062	8394130	Lever, complete, L=190 mm
2	S600064	8394132	Cover ring

NO.	ART NO.	RSK	DESCRIPTION
3	58530140	8241726	Fastening nipple with service tool
4	S600273	8387230	Ceramic cartridge with service tool, cold start (green ring)
5	S600065	8281672	Aerator M24 ext., 6 l/min at 200–600 kPa
6	S600160	8387096	Fastening kit, for basin mixer
7	S600298	3870203	Service tool
8	29390000	8295356	Fastening nipple
9	S600206	8233049	Self-closing hand shower, chrome
10	34093000	8186018	Wall bracket, chrome
11	S600207	8236647	Shower hose, L=1,5 m, chrome