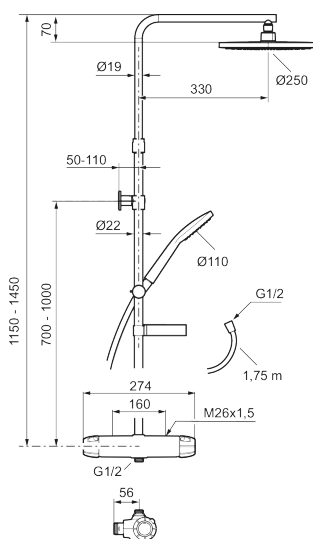




Unique characteristics



Backflow protection unit type **EB**



9000E head shower kit

A flexible solution for those who want to enjoy both an overhead shower and a hand shower. At the core is an energy-efficient mixer in a timeless design, paired with a shower rail that includes a shelf for soap and shampoo. The mixer ensures a consistent temperature and smooth water flow in all conditions—providing safety and comfort for the whole family.

The mixer features an Eco-stop function that automatically reduces water consumption. For a higher flow, simply press the Eco function button. The mixer meets energy class A standards.

About 9000E

Timeless, classic design with a range of smart, energy-saving features. That's why the 9000E series is the natural choice in so many homes and public spaces. A stylish way to save both water and energy. All mixers in the series are certified and comply with current building regulations.

Article number: 82182000 **RSK:** 8283639 **Flow 3 bar:** 7.6 l/m

Description: Chrome, 160 c/c

- Note! 160 c/c
- Pressure balanced thermostatic mixer with head shower set
- Eco Flow
- With reversible headwork
- Temperature handle with safety stop at 38°C
- With Eco-function
- Approved non-return valves, EN-Standard EN1717
- Anti lime-scale head- and hand shower
- Shower bar with slider, soap dish and wall bracket with sealing
- Shower pipe can be shortened if required
- Wall bracket freely adjustable in height, 700–1000 from connection and 50–100 mm from wall, 2x20 mm spacers included, with sealing, hidden pipe joint