

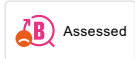



## FM Mattsson tronic WMS, shower mixer, battery operation

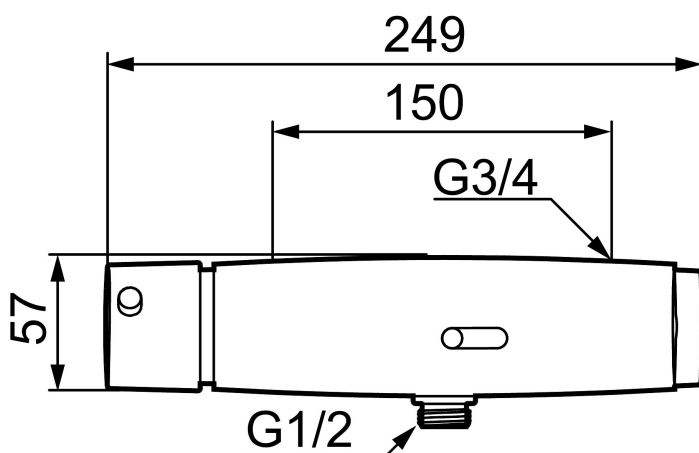
Article number: 16802500 RSK: 8359107

Description: Chrome

### Unique characteristics



Backflow protection unit type 



- WMS-mixers with possibilities of wireless connection (subscription is required)
- Adjustable hygiene flushing, intervals and rinsing time (to avoid stagnant water)
- Logging of all flushings with point of time, water consumption and temperature for individual mixer or group of mixers (minimum, maximum and average values)
- Battery monitoring
- Built-in temperature measurements of mixed water temperature
- Programmable temperature stop, the mixer will turn off directly at set maximum temperature
- With shower connection down
- Thermostatic function
- Temperature handle with safety stop at 38°C
- Adjustable maximum temperature, pre-set to 42°C
- Soft closing solenoid valve
- Safe against vandalism, complete in metal
- The mixer is activated by holding a hand or a finger against the ring on the sensor. The mixer will run for 1 minute after being activated, the sensor will then recognize the individual and continue to run as long as there is someone in front of the mixer.
- After a total of a 3 minutes shower, it will turn off automatically. If the person leaves the area in front of the shower it will turn off after 20 seconds. While showering the mixer can be manually turned off by holding a hand or a finger against the ring on the sensor
- Flush Timeout - safety shut-off to prevent flooding, maximum of 5 minutes
- Can be turned off by solenoid valve (eg for cleaning)
- 
- For environments with frequent use, it is recommended that the product be installed using a mains power supply
- Equipped with system for thermal disinfection against legionella
- Battery operation, can be converted to mains operation

- IP class sensor, IP67
- Approved non-return valves, EN-Standard EN1717

#### **Installation:**

- Note! Gateway and a subscription is required for WMS
- Automatic sensor calibration
- Easy to change battery, without turning off the water supply
- Mains operation requires installation of the AC adapter FMM S600132, and power supply FMM S600129 alternatively transformer FMM S600128

#### **Settings:**

- Adjustable max temperature
- With Gateway and WMS:
  - Hygiene flushing with adjustable time and intervals
  - Initiate hot water rinsing
  - Programming of rinsing times, temperature alarm och temperature stops
  - Alert signal if exceeding the time limit for stagnant water (the latest flushing)