
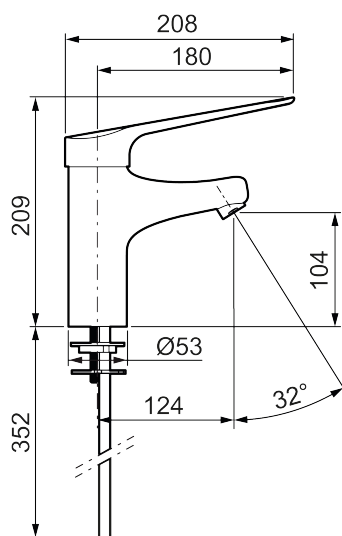




Unique characteristics



Backflow protection unit type 



## MEDICARE basin mixer

Basin mixer MEDICARE is made from a lead-free material and it has a clean visual design with round, smooth lines, and joints have been kept to a minimum. The mixer lever is 180 mm and has clear colour marks. The mixer also has an extra-long spout to easily access the water jet. The aerator is angled at 32 degrees, which optimizes the aim of the water jet in the basin. The mixer also has FM Mattsson's well-known energy-saving solutions and functions such as cold start and soft closing.

### About the collection

FM Mattsson MEDICARE collection has been designed in close collaboration with healthcare professionals. A new collection that emphasizes hygiene, accessibility and sustainability and has been developed to meet the specific needs of the healthcare sector and make daily life easier for people with reduced mobility and orientation capacity.

**Article number:** 32504110 **RSK:** 8325275 **Flow 3 bar:** 5.3 l/m

**Description:** Chrome, connection chromed Cu Ø10 mm

- Cold Start
- Ceramic cartridge with soft closing function
- Lever: 180 mm
- Adjustable flow control and temperature limiter
- Aerator without air admixture, constant flow at 200–600 kPa, angled 32°
- Connection pipes, chromed CU Ø10 mm
- Extra long spout reduces risk of water jet spraying onto the basin's waste. Spout projection 124 mm
- Hygienic design, lever and mixer body without dividing lines
- Lead Free material
- Acoustic group 1 (ISO 3822)
- Hole diameter Ø28-37 mm

PRODUCT DESCRIPTION

MEDICARE basin mixer

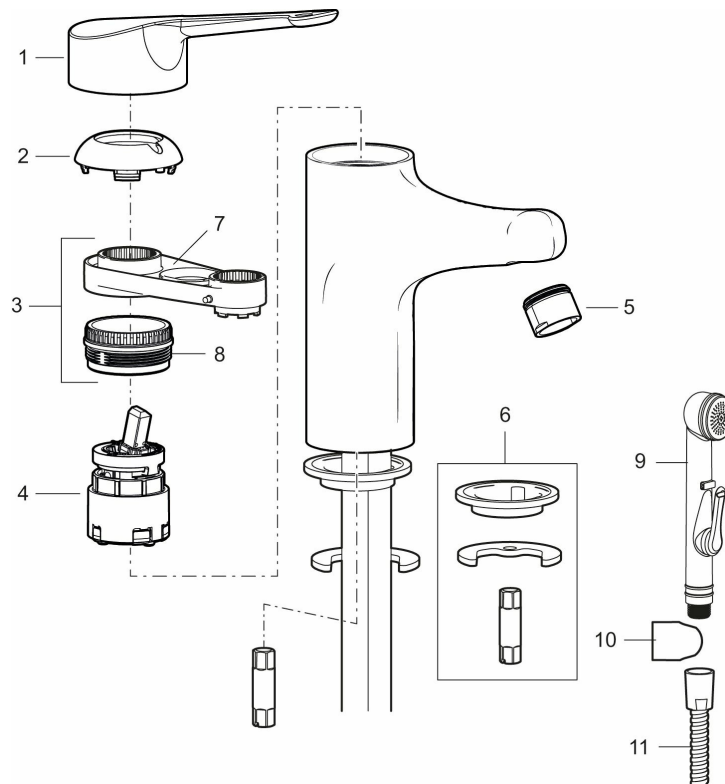
Basin mixer MEDICARE is made from a lead-free material and it have a clean visual design with round, smooth lines, and joints have been kept to a minimum. The mixer lever is 180 mm and has clear colour marks. The mixer also has an extra-long spouts to easily access the water jet. The aerator is angled at 32 degrees, which optimizes the aim of the water jet in the basin. The mixer also has FM Mattsson's well-known energy-saving solutions and functions such as cold start and soft closing.

About the collection

FM Mattsson MEDICARE collection has been designed in close collaboration with healthcare professionals. A new collection that emphasis on hygiene, accessibility and sustainability and has been developed to meet the specific needs of the healthcare sector and make daily life easier for people with reduced mobility and orientation capacity.

Article number: 32504110

RSK: 8325275



Sparepartlist

| NO. | ART NO. | RSK     | DESCRIPTION               |
|-----|---------|---------|---------------------------|
| 1   | S600063 | 8394131 | Lever, complete, L=150 mm |
| 1   | S600062 | 8394130 | Lever, complete, L=190 mm |
| 2   | S600064 | 8394132 | Cover ring                |

| NO. | ART NO.  | RSK     | DESCRIPTION  |
|-----|----------|---------|--|
| 3   | 58530140 | 8241726 | Fastening nipple with service tool                           |
| 4   | S600273  | 8387230 | Ceramic cartridge with service tool, cold start (green ring) |
| 5   | S600065  | 8281672 | Aerator M24 ext., 6 l/min at 200–600 kPa                     |
| 6   | S600160  | 8387096 | Fastening kit, for basin mixer                               |
| 7   | S600298  | 3870203 | Service tool   |
| 8   | 29390000 | 8295356 | Fastening nipple   |
| 9   | S600206  | 8233049 | Self-closing hand shower, chrome                             |
| 10  | 34093000 | 8186018 | Wall bracket, chrome   |
| 11  | S600207  | 8236647 | Shower hose, L=1,5 m, chrome                                 |