



## SILJAN shower kit

Our FM Mattsson Siljan collection combines design with eco-friendly and energy-saving functions without compromising on comfort. The Siljan shower range includes a wide selection of overhead shower and hand shower sets.

The showers can be combined with a Siljan thermostatic shower or bath mixer. Or make things simple by choosing one of our smart all-in-one overhead or hand shower sets.

**Article number:** 83821000 **RSK:** 8283727 **Flow 3 bar:** 7.9 l/m

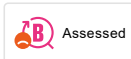
**Description:** Chrome, 160 c/c

- Note! 160 c/c
- Pressure balanced thermostatic mixer with shower set
- Eco Flow
- Temperature handle with safety stop at 38°C
- With Eco-function
- Approved non-return valves, EN-Standard EN1717
- Shower set has anti lime-scale hand shower with 3 shower jet settings, shower bar with slider, soap dish and flexible upper wall brackets with sealing

### Unique characteristics

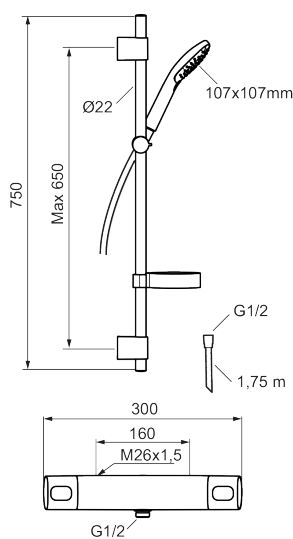


Energy class



Assessed

Backflow protection unit type



## PRODUCT DESCRIPTION

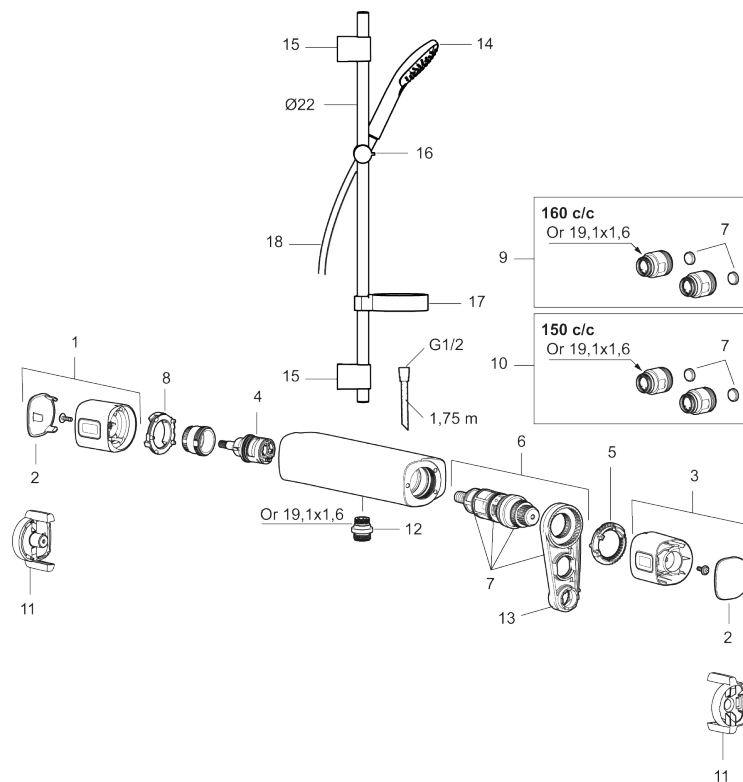
### SILJAN shower kit

Our FM Mattsson Siljan collection combines design with eco-friendly and energy-saving functions without compromising on comfort. The Siljan shower range includes a wide selection of overhead shower and hand shower sets.

The showers can be combined with a Siljan thermostatic shower or bath mixer. Or make things simple by choosing one of our smart all-in-one overhead or hand shower sets.

Article number: 83821000

RSK: 8283727



## Sparepartlist

NO.	FMM NO.	RSK	DESCRIPTION
1	35480009	8592029	On/off handle, complete
2	39031500	8592052	End cover
3	35480109	8592033	Temperature handle, complete
4	35980009	8585850	Ceramic on/off headwork, reversible
5	38523000	8592058	Scalding protection ring
6	S600275	8397029	Thermostatic cartridge, complete, incl. service tool
7	38680009	8591701	Filter kit incl. o-rings and service tool
8	38531000	8592059	Stop ring, standard
9	59800800	8592005	Inlet connectors, 160 c/c
10	59810800	8592006	Inlet connectors 150 c/c (left-handed thread)

NO.	FMM NO.	RSK	DESCRIPTION
11	35976209	8592039	Care-handle, black, 2 pcs
12	39710800	8591967	Nipple M18x1-G1/2 for shower mixer
13	S600298	3870203	Service tool
14	S600366	8233196	Hand shower, 107x107 mm
15	S600266	8239702	Wall bracket, chrome, 2 pcs
16	S600246	8239619	Slider, chrome
17	S600331	8239741	Soap dish
18	S600109	8252036	Shower hose, chrome