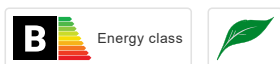
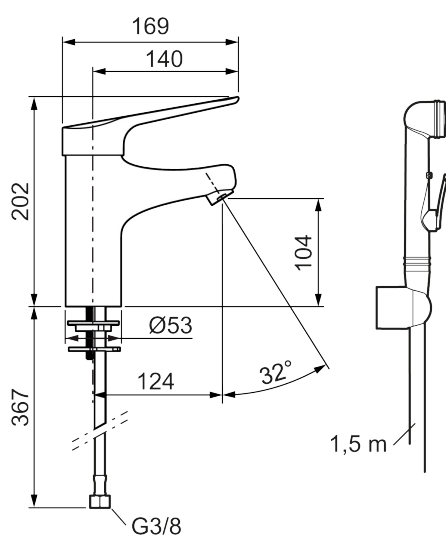




Unique characteristics



Backflow protection unit type **EB**



## MEDICARE basin mixer

Basin mixer MEDICARE is made from a lead-free material and it has a clean visual design with round, smooth lines, and joints have been kept to a minimum. The mixer has clear color markings on the lever and extra-long spouts to easily access the water jet. The aerator is angled at 32 degrees, which optimizes the aim of the water jet in the basin. The mixer also has FM Mattsson's well-known energy-saving solutions and functions such as cold start and soft closing. The mixer comes with a self-closing hand shower, wall bracket and a hose.

### About the collection

FM Mattsson MEDICARE collection has been designed in close collaboration with healthcare professionals. A new collection that emphasizes hygiene, accessibility and sustainability and has been developed to meet the specific needs of the healthcare sector and make daily life easier for people with reduced mobility and orientation capacity.

**Article number:** 32570010 **RSK:** 8325276 **Flow 3 bar:** 5.1 l/m  
**Description:** Chrome, connection nut G3/8"

- With self-closing hand shower, wall bracket and hose
- Cold Start
- Ceramic cartridge with soft closing function
- Adjustable flow control and temperature limiter
- Aerator without air admixture, constant flow at 200–600 kPa, angled 32°
- Flexible connection tubes in stainless steel braided Soft PEX® with 3/8" connecting nut, with protective plastic covering for improved hygiene and easier cleaning
- Extra long spout reduces risk of water jet spraying onto the basin's waste. Spout projection 124 mm
- Hygienic design, lever and mixer body without dividing lines
- Lead Free material
- Acoustic group 1 (hand shower 2) (ISO 3822)
- Hole diameter Ø28-37 mm