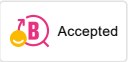
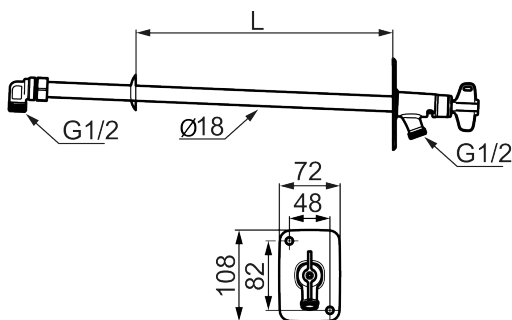




## Unique characteristics



Backflow protection unit type **HD**



## Garden valve with key

FM Mattsson's outdoor tap is the next step in the development of safe and smart outdoor installations – designed and manufactured in Mora, Sweden. Here, functionality and reliability come together in a well-thought-out design developed in close collaboration with installers.

It is designed with an integrated vacuum valve and features a self-draining function that automatically drains the water when the tap is turned off. In winter, quick coupling and hose must always be removed to prevent frost damage. A reliable backflow protection also prevents contaminated water from flowing back into the system during sudden pressure changes – an extra level of safety for both homes and properties.

The outdoor tap is made from lead-free materials and is future-proofed for long, trouble-free operation.

A new generation of outdoor taps – developed for professionals, together with professionals – designed so that everyone can feel confident in their installation.

**Article number:** 42961000 **RSK:** 4315006

**Description:** For wall thickness max. 1000 mm

- Self-draining and therefore frost-safe
- Integrated vacuum valve
- Can be cut to adapt to wall thickness
- Key can be attached to the outdoor tap
- Wall plate: Height 108 mm, width 72 mm, diagonal screw holes
- Backflow protection
- Lead-free
- Self-draining with hose
- Type-approved according to standard EN1717

## PRODUCT DESCRIPTION

### Garden valve with key

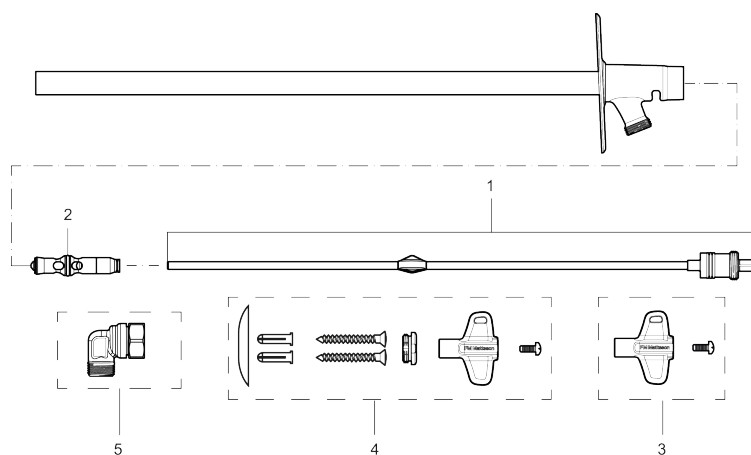
FM Mattsson's outdoor tap is the next step in the development of safe and smart outdoor installations – designed and manufactured in Mora, Sweden. Here, functionality and reliability come together in a well-thought-out design developed in close collaboration with installers.

It is designed with an integrated vacuum valve and features a self-draining function that automatically drains the water when the tap is turned off. In winter, quick coupling and hose must always be removed to prevent frost damage. A reliable backflow protection also prevents contaminated water from flowing back into the system during sudden pressure changes – an extra level of safety for both homes and properties.

The outdoor tap is made from lead-free materials and is future-proofed for long, trouble-free operation.

A new generation of outdoor taps – developed for professionals, together with professionals – designed so that everyone can feel confident in their installation.

Article number: 42961000      RSK: 4315006



### Sparepartlist

| NO. | FMM NO. | RSK     | DESCRIPTION                           |
|-----|---------|---------|---------------------------------------|
| 1   | S600350 | 4317001 | Headwork incl. spindle, L=400 mm      |
| 1   | S600351 | 4317002 | Headwork incl. spindle, L=600 mm      |
| 1   | S600352 | 4317003 | Headwork incl. spindle, L=1000 mm     |
| 2   | S600353 | 5078004 | Vacuum valve                          |
| 3   | S600354 | 4317004 | Key incl. screw                       |
| 4   | S600347 | 4317000 | Fastening details incl. key and screw |
| 5   | S600355 | 4317005 | Valve body with cone and nut          |