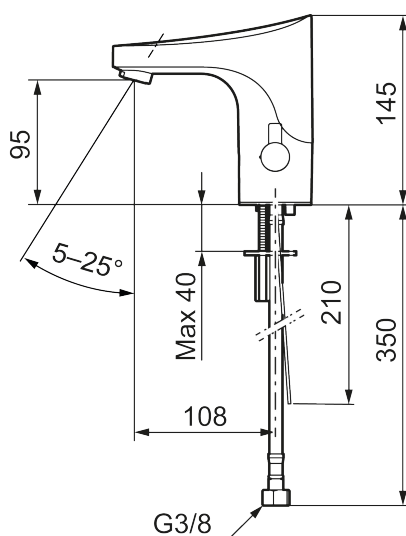




Unique characteristics



Backflow protection unit type **EB**



MEDICARE tronic WMS basin mixer, battery operation

MEDICARE Tronic basin mixer is a touch-free solution that helps improve hygiene and reduce spread of infection. This mixer is available for both mains and battery operation, offering flexibility for installation in a variety of environments. The adjustable aerator can easily be adjusted so that the water jet is directed away from the push-down waste, helping to improve hygiene and reduce the risk of splashing.

About the collection

MEDICARE is FM Mattsson's range of products for healthcare and care settings with high requirements for hygiene, safety and accessibility. The products are made from lead-free brass and combine a construction designed for easy cleaning with well-thought-out design, ergonomic controls and safe temperature settings.

With a 10-year spare parts guarantee, Medicare is a reliable, long-term choice for professional installations.

Article number: 16414410 RSK: 8430098 Flow 3 bar: 6.0 l/m

Description: Chrome, battery operation, included battery

- Adjustable aerator without air admixture, constant flow at 200–600 kPa, adjustable angle 5–25°
- Flexible connection tubes in stainless steel braided Soft PEX® with 3/8" connecting nut, with protective plastic covering for improved hygiene and easier cleaning
- Hygienic design, joints kept to a minimum
- WMS mixer tap with the option of wireless connection to our Tronic WMS system or programming via a dongle.
- Hygiene flushing function for minimising bacterial growth in the water system.
- Soft closing solenoid valve
- Flush Timeout - safety shut-off to prevent flooding
- Rinse time
- Cleaning mode, time-limited shut-off for cleaning
- Low power consumption - Long life
- Equipped with system for thermal disinfection against legionella
- IP class sensor, IP67
- Approved non-return valves, EN-Standard EN1717

- Environmental friendly material, Lead free, Nickel Free

Installation:

- Temperature knob can be removed and replaced with a cover (included)
- Battery operation, adaptable for mains operation
- For mains operation requires installation of the adapter kit FMM S600147
- Hole diameter Ø33,5-37 mm

Functions via Tronic WMS/dongle:

- Programmable of:
 - Flush Timeout
 - Rinse time
 - Hygiene flushing, interval and flush time
 - Maximum temperature
 - Initiation of thermal disinfection
- Additional functions with Tronic WMS:
 - Operational monitoring (flushings, water consumption and temperature, battery status, etc.)
 - Logging of all events
 - Alarm via SMS or email
 - Documentation and report function