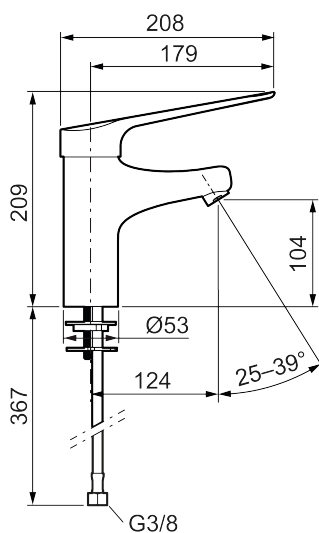




Unikke egenskaber



Tilbageløbssikring



Håndvaskarmatur MEDICARE

Basin mixer MEDICARE is made from a lead-free material and it have a clean visual design with round, smooth lines, and joints have been kept to a minimum. The mixer lever is 180 mm and has clear colour marks. The mixer also has a extra-long spouts to easily access the water jet. The aerator is adjustable so it can easily be adapted for different basins. The mixer also has FM Mattsson's well-known energy-saving solutions and functions such as cold start and soft closing.

About the collection

FM Mattsson MEDICARE collection has been designed in close collaboration with healthcare professionals. A new collection that emphasis on hygiene, accessibility and sustainability and has been developed to meet the specific needs of the healthcare sector and make daily life easier for people with reduced mobility and orientation capacity.

Artikel-nummer: 32504210 Flow 3 bar: 5,3 l/m

Beskrivelse: Krom

- Indstillelig strålesamler, maksimalt vandforbrug ved 2–6 bar, indstillelig vinkel 25–39°.
- Handicapvenligt.
- Greb: 180 mm.
- **Koldstart.**
- Soft Closing og keramisk kartusche.
- Indbygget temperatur- og flowbegrænser.
- Fleksible tilslutningsrør i metalindpakket Soft PEX® med beskyttende plastikafdækning for øget hygiejne og lettere rengøring.
- Med forlænget tud for at mindske risikoen for, at strålebilledet rammer håndvaskens bundventil, tudfremspring 124 mm.
- Hygiejnisk design, greb og armaturenhed uden delelinjer.
- Lead Free (blyfri).
- Støjklasse 1 (ISO 3822)
- Hulstørrelse Ø28–37 mm.
- **5 års trykgaranti.**