
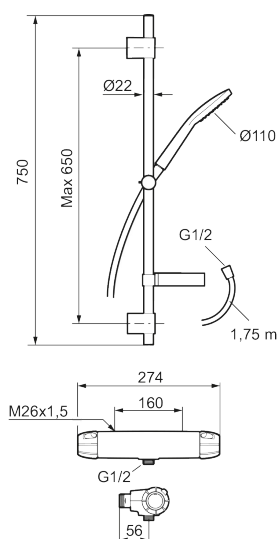




Unique characteristics



Backflow protection unit type 



9000E shower kit

This set has everything you need for a comfortable and refreshing shower experience. It includes an energy-efficient mixer in a timeless design, a shower rail with a hand shower, and a shelf for soap and shampoo. The mixer ensures a smooth water flow and maintains a consistent temperature in all conditions—safe and reliable for both young and old.

The mixer features an Eco-stop function that automatically reduces water consumption. For a higher flow, simply press the Eco function button. The mixer meets energy class A standards.

About 9000E

Timeless, classic design with a range of smart, energy-saving features. That's why the 9000E series is the natural choice in so many homes and public spaces. A stylish way to save both water and energy. All mixers in the series are certified and comply with current building regulations.

Article number: 82172000 RSK: 8283637 Flow 3 bar: 7.6 l/m

Description: Chrome, 160 c/c

- Note! 160 c/c
- Pressure balanced thermostatic mixer with shower set
- Eco Flow
- Temperature handle with safety stop at 38°C
- With Eco-function
- Approved non-return valves, EN-Standard EN1717
- Shower set has anti lime-scale hand shower, shower bar with slider, soap dish and wall brackets with sealing

PRODUCT DESCRIPTION

9000E shower kit

This set has everything you need for a comfortable and refreshing shower experience. It includes an energy-efficient mixer in a timeless design, a shower rail with a hand shower, and a shelf for soap and shampoo. The mixer ensures a smooth water flow and maintains a consistent temperature in all conditions—safe and reliable for both young and old.

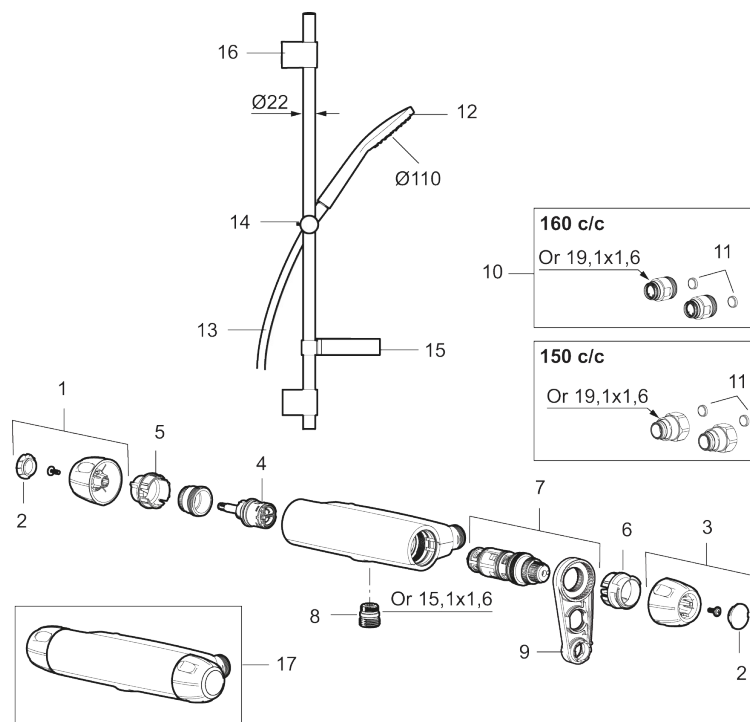
The mixer features an Eco-stop function that automatically reduces water consumption. For a higher flow, simply press the Eco function button. The mixer meets energy class A standards.

About 9000E

Timeless, classic design with a range of smart, energy-saving features. That's why the 9000E series is the natural choice in so many homes and public spaces. A stylish way to save both water and energy. All mixers in the series are certified and comply with current building regulations.

Article number: 82172000

RSK: 8283637



Sparepartlist

NO.	FMM NO.	RSK	DESCRIPTION
1	S600334	8397049	On/off handle, complete, krom
2	S600335	8397050	End cover, black, 2 pcs
3	S600333	8397048	Temperature handle, complete, chrome

NO.	FMM NO.	RSK	DESCRIPTION
4	S600020	8441462	Reversible headwork shower mixer 12 l/min, with service tool
4	S600269	8387232	Reversible headwork shower mixer 12 l/min
5	S600086	8439710	Stop ring, for one outlet (down or up)
6	S600087	8439711	Scalding protection ring, max 50°C
7	S600084	8439709	Thermostatic cartridge, complete, incl. service tool
7	S600271	8397030	Thermostatic cartridge, complete, without service tool
8	S600088	8439712	Nipple M18x1-G1/2 for shower mixer
9	S600298	3870203	Service tool
10	59800800	8592005	Inlet connectors, 160 c/c
11	38632006	8590311	Filter
12	S600330	8233133	Hand shower, chrome
13	S600109	8252036	Shower hose, chrome
14	S600246	8239619	Slider, chrome
15	S600331	8239741	Soap dish
16	S600266	8239702	Wall bracket, chrome, 2 pcs
17	82102000	8350379	Complete shower mixer, 12 l/min, 160 c/c
17	82103500	8350380	Complete shower mixer, 12 l/min, 150 c/c