

9000E II shower kit

Article number: 82172500 **RSK:** 8377379 **Flow 3 bar:** 7.5 l/m

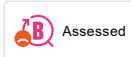
Description: Chrome, 150 c/c

- Constant flow 7,5 l/min at 200–600 kPa
- Safety mixer art.no. 8210-2500, shampoo shelf art.no. 9304-0800 and shower set art.no. 9470-1000
- Shower set have anti lime-scale hand shower, shower bar with slider, soap dish and wall brackets with sealing

Uniqe characteristics

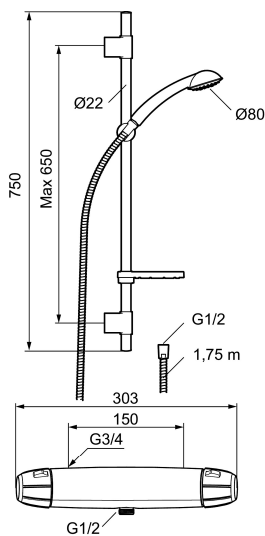


Energy class



Assessed

Backflow protection unit type

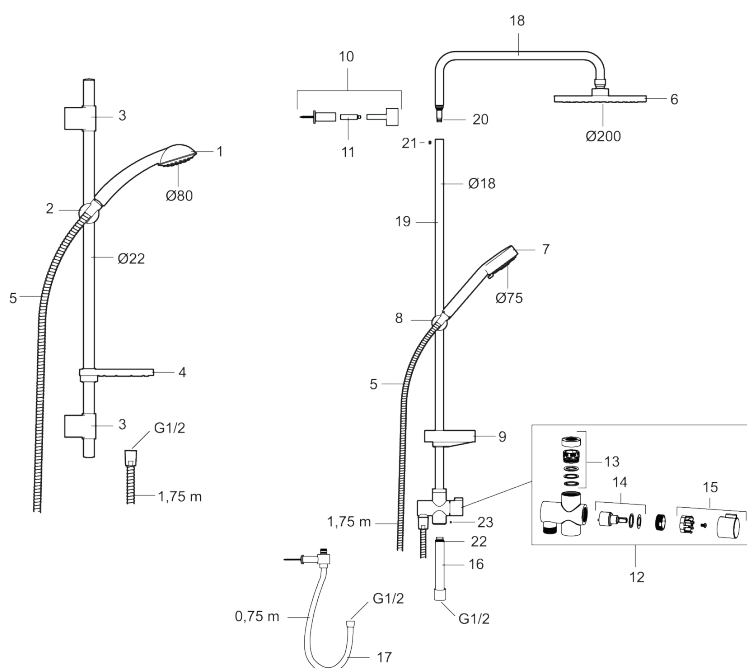


PRODUCT DESCRIPTION

9000E II shower kit

Article number: 82172500

RSK: 8377379



Sparepartlist

NO.	FMM NO.	RSK	DESCRIPTION
1	94750900	8199210	Hand shower
1	94753900	8199211	Hand shower, 3 shower jet settings
2	94780000	8185685	Slider
3	83710000	8186586	Wall bracket, 2 pcs
4	94790000	8185648	Soap dish, transparent
5	34841750	8181618	Shower hose, chrome
6	93991000	8180619	Shower head
7	93840900	8199217	Hand shower
8	94671000	8183708	Slider
9	93441000	8185649	Soap dish
10	58950000	8180414	Wall bracket
11	27923500	8180415	Extender, 25 mm
12	58903000	8190747	Diverter, complete
13	58961000	8221708	Repair kit for diverter
14	59071000	8221706	Cartridge
15	59081000	8221707	Handle
16	58920100	8189019	Extension bar

NO.	FMM NO.	RSK	DESCRIPTION
17	93971000	8189020	Connecting hose
18	58941350		Upper bar
19	58930959	8189001	Lower bar, L=950 mm
20	37800938	8592017	O-ring 7,1 x 1,6, 2 pcs
21	38082000	8221717	Stop screw
22	37801378	8594543	O-ring 12,42 x 1,78, 2 pcs
23	38086000	8439701	Locking screw