

## MediCare Waschtisch-Einhebelmischer

Basin mixer MEDICARE is made from a lead-free material and it has a clean visual design with round, smooth lines, and joints have been kept to a minimum. The mixer has clear color markings on the lever and extra-long spouts to easily access the water jet. The aerator is angled at 32 degrees, which optimizes the aim of the water jet in the basin. The mixer also has FM Mattsson's well-known energy-saving solutions and functions such as cold start and soft closing.

### About the collection

FM Mattsson MEDICARE collection has been designed in close collaboration with healthcare professionals. A new collection that emphasizes hygiene, accessibility and sustainability and has been developed to meet the specific needs of the healthcare sector and make daily life easier for people with reduced mobility and orientation capacity.

Artikel-Nr.: 32500110 Flow 3 bar: 5,3 l/m

Ausführung: Chrom, anschluss CU Ø10 mm

- ESS (Energie-Spar-System)
- Mit Soft Closing zur Vermeidung von Druckstößen
- Einstellbare Mengen- und Temperaturbegrenzung
- Strahlregler ohne Luftbeimischung, konstanter Durchfluss bei 200–600 kPa, 32° abgewinkelt
- Verbindungsrohre, verchromt CU Ø10 mm
- Ein extra langer Auslauf verringert das Risiko, dass Wasserstrahlen auf den Beckenrand des Beckens spritzt, auslauflänge 124 mm
- Hygienisches Design, Hebel und Mischerkörper ohne Trennlinien
- Lead Free (Bleifrei gem. Trinkwasserverordnung)
- Lochdurchmesser Ø28-37 mm

## PRODUKTBESCHREIBUNG

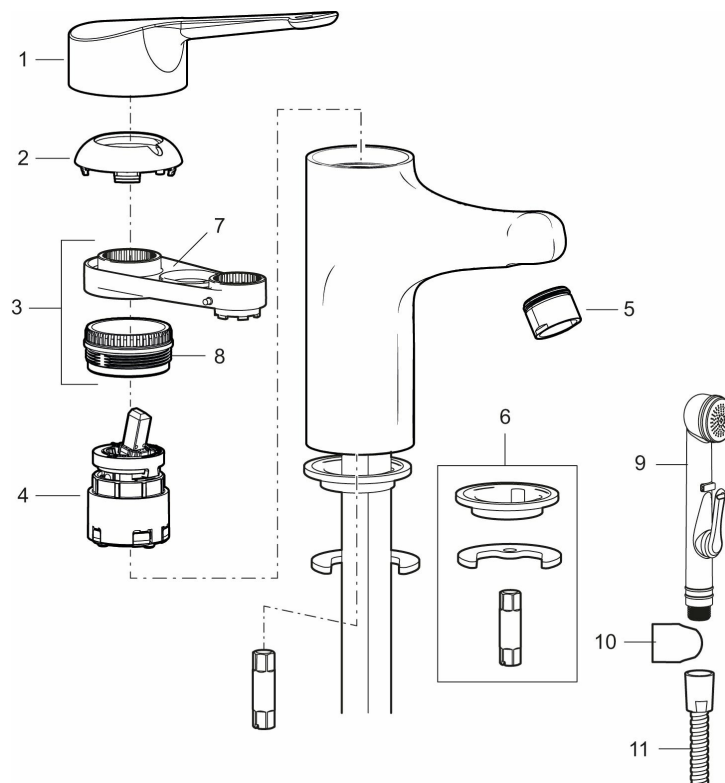
### MediCare Waschtisch- Einhebelmischer

Basin mixer MEDICARE is made from a lead-free material and it have a clean visual design with round, smooth lines, and joints have been kept to a minimum. The mixer has clear color markings on the lever and extra-long spouts to easily access the water jet. The aerator is angled at 32 degrees, which optimizes the aim of the water jet in the basin. The mixer also has FM Mattsson's well-known energy-saving solutions and functions such as cold start and soft closing.

#### About the collection

FM Mattsson MEDICARE collection has been designed in close collaboration with healthcare professionals. A new collection that emphasis on hygiene, accessibility and sustainability and has been developed to meet the specific needs of the healthcare sector and make daily life easier for people with reduced mobility and orientation capacity.

Artikel-Nr.: 32500110



### Ersatzteilliste

NO.	ART.NR	AUSFÜHRUNG
1	S600063	Hebel, Länge 150 mm, komplett
1	S600062	Hebel, Länge 190 mm, komplett
2	S600064	Überwurfmutter
3	58530140	Feststellnippel mit Werkzeug

<b>NO.</b>	<b>ART.NR</b>	<b>AUSFÜHRUNG</b>
4	S600273	Keramikkartusche, inkl. Servicewerkzeug
5	S600065	Strahlregler M24 außen, 6 l/min von 200–600 kPa
6	S600160	Befestigung, Waschtischem.
7	S600298	Servicewerkzeug
8	29390000	Feststelldetail
9	S600206	Selbstschliessende Handbrause, chrom
10	34093000	Wandhalter
11	S600207	Duschschlauch 1500mm, Hochdruck, Metall