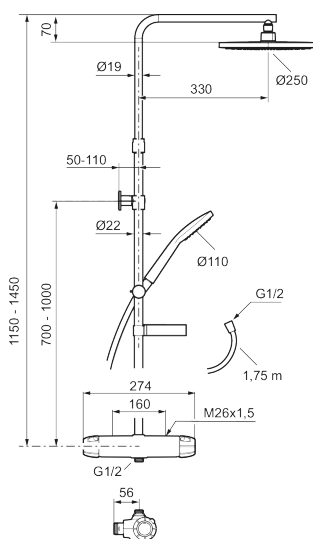




Unique characteristics



Backflow protection unit type **EB**



9000E head shower kit

A flexible solution for those who want to enjoy both an overhead shower and a hand shower. At the core is an energy-efficient mixer in a timeless design, paired with a shower rail that includes a shelf for soap and shampoo. The mixer ensures a consistent temperature and smooth water flow in all conditions—providing safety and comfort for the whole family.

The mixer features an Eco-stop function that automatically reduces water consumption. For a higher flow, simply press the Eco function button. The mixer meets energy class A standards.

About 9000E

Timeless, classic design with a range of smart, energy-saving features. That's why the 9000E series is the natural choice in so many homes and public spaces. A stylish way to save both water and energy. All mixers in the series are certified and comply with current building regulations.

Article number: 82182000 RSK: 8283639 Flow 3 bar: 7.6 l/m

Description: Chrome, 160 c/c

- Note! 160 c/c
- Pressure balanced thermostatic mixer with head shower set
- Eco Flow
- With reversible headwork
- Temperature handle with safety stop at 38°C
- With Eco-function
- Approved non-return valves, EN-Standard EN1717
- Anti lime-scale head- and hand shower
- Shower bar with slider, soap dish and wall bracket with sealing
- Shower pipe can be shortened if required
- Wall bracket freely adjustable in height, 700–1000 from connection and 50–100 mm from wall, 2x20 mm spacers included, with sealing, hidden pipe joint

PRODUCT DESCRIPTION

9000E head shower kit

A flexible solution for those who want to enjoy both an overhead shower and a hand shower. At the core is an energy-efficient mixer in a timeless design, paired with a shower rail that includes a shelf for soap and shampoo. The mixer ensures a consistent temperature and smooth water flow in all conditions—providing safety and comfort for the whole family.

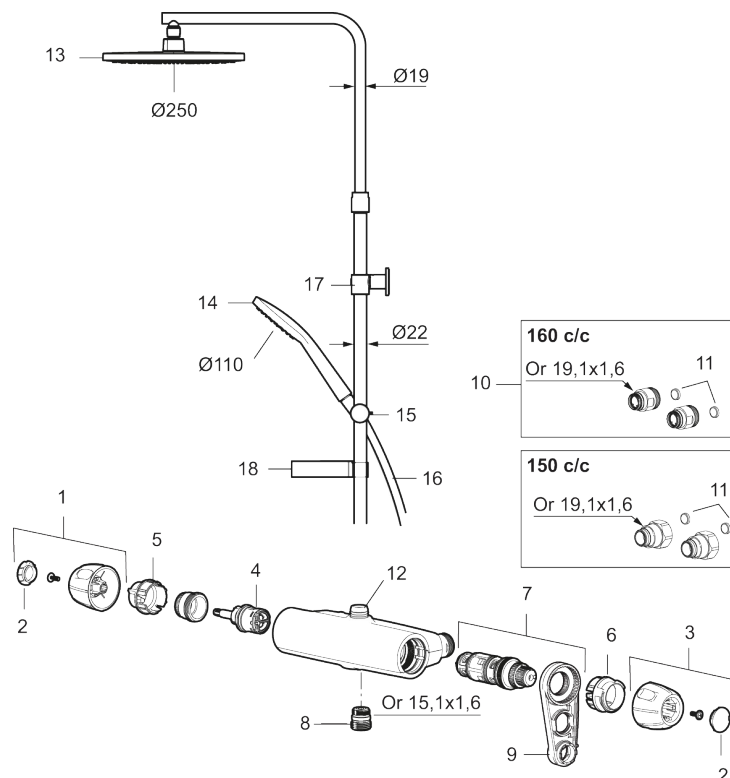
The mixer features an Eco-stop function that automatically reduces water consumption. For a higher flow, simply press the Eco function button. The mixer meets energy class A standards.

About 9000E

Timeless, classic design with a range of smart, energy-saving features. That's why the 9000E series is the natural choice in so many homes and public spaces. A stylish way to save both water and energy. All mixers in the series are certified and comply with current building regulations.

Article number: 82182000

RSK: 8283639



Sparepartlist

NO.	FMM NO.	RSK	DESCRIPTION
1	S600334	8397049	On/off handle, complete, krom
2	S600335	8397050	End cover, black, 2 pcs

NO.	FMM NO.	RSK	DESCRIPTION
3	S600333	8397048	Temperature handle, complete, chrome
4	S600020	8441462	Reversible headwork shower mixer 12 l/min, with service tool
4	S600269	8387232	Reversible headwork shower mixer 12 l/min
5	S600117	8439714	Stop ring, for two outlet (down and up)
6	S600087	8439711	Scalding protection ring, max 50°C
7	S600084	8439709	Thermostatic cartridge, complete, incl. service tool
7	S600271	8397030	Thermostatic cartridge, complete, without service tool
8	S600088	8439712	Nipple M18x1–G1/2 for shower mixer
9	S600298	3870203	Service tool
10	59800800	8592005	Inlet connectors, 160 c/c
11	38632006	8590311	Filter
12	S600112	8920116	Nipple M18x1
13	S600196	8237572	Shower head, 250 mm
14	S600330	8233133	Hand shower, chrome
15	S600246	8239619	Slider, chrome
16	S600109	8252036	Shower hose, chrome
17	S600094	8221921	Wall bracket, chrome
18	S600331	8239741	Soap dish