
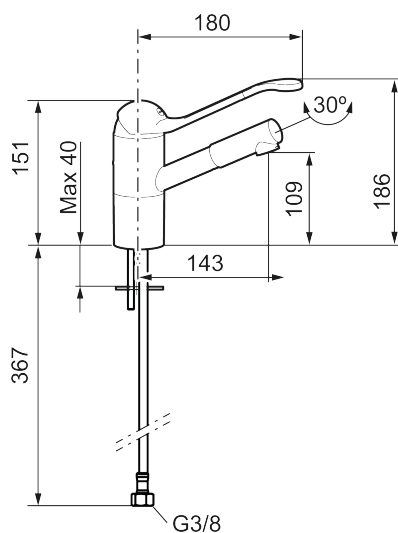




Unique characteristics



Backflow protection unit type 



FM Mattsson care basin mixer

The Care washbasin mixer is made of a lead-free brass and has a design with a strong focus on accessibility and adaptation. The mixer lever is 180 mm and has clear colour marks. This, together with the spout that is both swivel sideways and whose outer part can be turned sideways, means that you have a mixer with high focus on accessibility that can be easily adapted based on the user's needs. Mixers also have FM Mattsson's well-known energy-efficient solutions such as cold start and soft closing.

Article number: 32604010 **RSK:** 8275660

Description: Chrome, connection nut G3/8"

- Extra long spout reduces risk of water jet spraying onto the basin's waste. Spout projection 145 mm
- Pipe swivel (110°) or lockable, latch washer included. The outer part of the spout can also be rotated (30°) sideways
- Cold Start
- Ceramic cartridge with soft closing function
- Lever: 180 mm
- Adjustable temperature limiter
- Flexible connection tubes in stainless steel braided Soft PEX[®] with 3/8" connecting nut.
- Lead Free material
- Flow 9,5 l/min at 300 kPa
- Hole diameter Ø28-37 mm