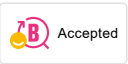
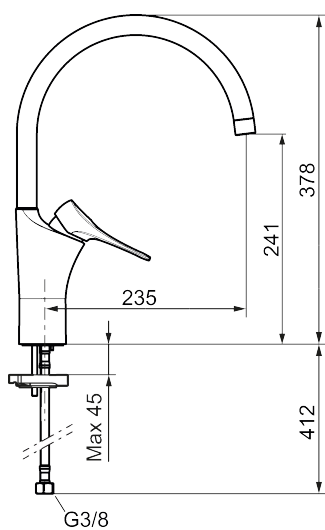




Unique characteristics



Backflow protection unit type **AA**



9000XE kitchen mixer

Article number: 86027413 **RSK:** 8312014 **Flow 3 bar:** 6.0 l/m

Description: Brushed chrome, with integrated electronic dish washer cut-off, LEED/BREEAM compliant

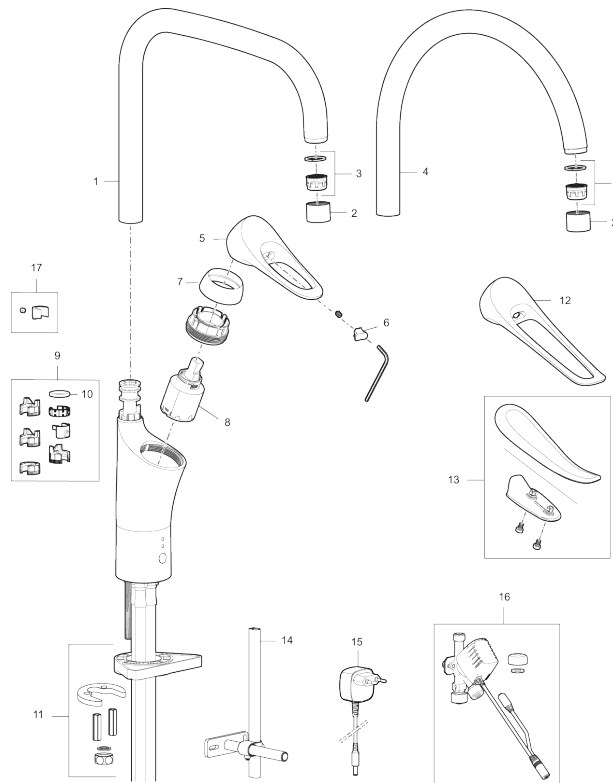
- Cold Start
- Ceramic cartridge with soft closing function
- Adjustable flow control and temperature limiter
- Eco Flow (energy and water saving aerator)
- Swivel spout, limitation part for 60°, 85°, 110° or 360° included
- With integrated electronic dish washer cut-off, automatic shut-off after 4 or 12 hours
- Soft PEX[®] hoses with 3/8" connecting nut (stainless steel braided)
- Lead Free material
- Hole diameter Ø34-37 mm

PRODUCT DESCRIPTION

9000XE kitchen mixer

Article number: 86027413

RSK: 8312014



Sparepartlist

NO.	FMM NO.	RSK	DESCRIPTION
1	S600103	8387035	Spout, U-model, chrome
1	S600103.75	8387037	Spout, U-model, brushed chrome
2	S600155	8280012	Housing M22 int., chrome
2	S600155.75	8280013	Housing M22 int., brushed chrome
3	29102910	8281534	Aerator insert, 5,5–6,5 l/min at 300kPa
3	29100500	8281532	Aerator insert, 5 l/min at 200–600 kPa
3	S600072	8281671	Aerator insert, 3 l/min at 200–600 kPa
4	S600102	8387032	Spout, C-model, chrome
4	S600102.75	8387034	Spout, C-model, brushed chrome
5	S600096	8387022	Lever, complete, chrome
5	S600096.75	8387024	Lever, complete, Brushed chrome
6	S600097	8387025	Cover lid with colour marking
7	S600101	8387029	Cover sleeve, chrome
7	S600101.75	8387031	Cover sleeve, brushed chrome
8	S600098	8387026	Ceramic cartridge with tool, for kitchen mixers

NO.	FMM NO.	RSK	DESCRIPTION
8	S600209	8387039	Ceramic cartridge, without tool, for kitchen mixers
8	S600100	8387028	Ceramic cartridge with tool, for kitchen mixer (LEED) and basin mixer
8	S600099	8387027	Ceramic cartridge, without tool, for kitchen mixer (LEED) and basin mixer
9	58641000	8594560	Lock kit for swivel spout
10	37801550	8295350	O-ring 15,54 x 2,62, 2 pcs
11	S600159	8387097	Fastening kit, for kitchen mixer
12	S600175	8387083	Care-lever, complete
13	S600106	8397001	Care-kit
14	S600308	8387263	Stabilizer kit
15	S600185	8398015	Transformer 12V
16	S600184	8398014	Electronic dishwasher valve