



Unique characteristics

Backflow protection unit type



FM Mattsson tronic shower panel WMS, for premixed water, battery operation

Article number: 95000002

Description: Matte white, battery operation, included battery

- Shower panel with possibilities of wireless connection (subscription is required)
- With mixing valve
- Battery operation, can be converted to mains operation
- Connection up G1/2". Ball valve are ordered seperately
- With solenoid valve
- Programmable start button. Rinsing time from 10–60 seconds, (30 seconds is the factory preset)
- Flush Timeout - safety shut-off to prevent flooding, maximum of 5 minutes
- Jet angle adjustable +/- 5°
- Flow limiter 9 l/min
- Can be turned off by solenoid valve (eg for cleaning)
- Stainless steel design with powder-coated casing. Standard colour white NCS S0500-N, Gloss 30, other colours and gloss levels available on request.
- Low power consumption - Long life
- Equipped with system for thermal disinfection against legionella
- IP class sensor, IP67

Installation:

- Easy to change battery under the service cover without turning off the water supply
- Mains operation requires installation of the AC adapter FMM S600132, and power supply FMM S600129 alternatively transformer FMM S600128

Tronic WMS:

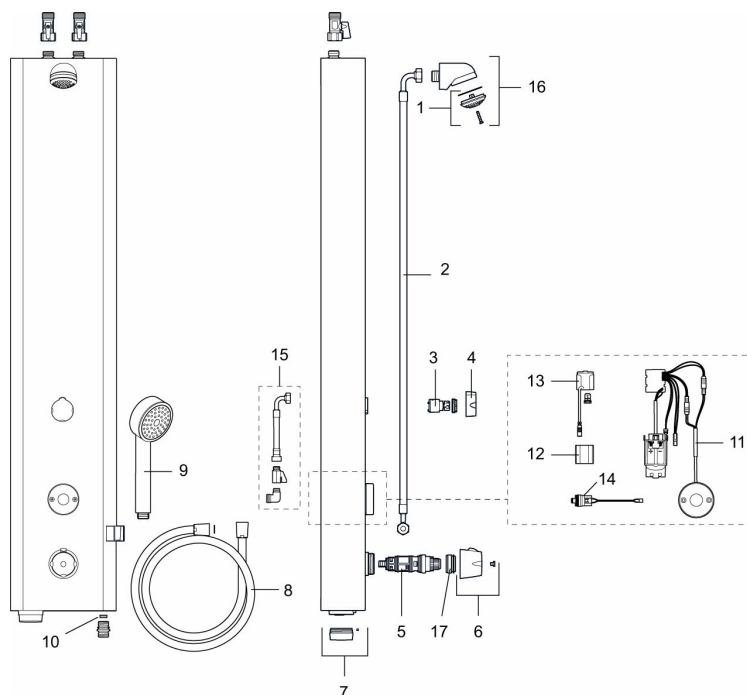
- Note! Gateway and subscription or dongle are required for the WMS function

- The following options are available with wireless connection to our Tronic WMS system:
- Programmable rinsing time from 10–60 seconds, (30 seconds is the factory preset)
- Selection of activation type:
 - Saving mode, set time, always flush at the same time, factory preset mode
 - Normal, rinsing time is extended if you press again before it stops
 - Switching mode, set time, reactivation interrupts flushing
- Adjustable hygiene flushing, interval and rinsing time (in order to prevent stagnant water)
- Logging of all flushings with point of time, water consumption and temperature for individual mixer or group of mixers (minimum, maximum and average values)
- Battery monitoring
- Built-in temperature measurements of mixed water temperature
- Programmable temperature stop, the mixer will turn off directly at set maximum temperature
- Initiate hot water rinsing

PRODUCT DESCRIPTION

FM Mattsson tronic shower panel WMS, for premixed water, battery operation

Article number: 95000002



Sparepartlist

NO.	FMM NO.	RSK	DESCRIPTION
1	29182000	8221808	Shower strainer
2	39090700	8221813	Connection hose, 0,7 m
3	59072000	8221814	Cartridge for diverter
4	16221700	8221796	Handle for diverter
5	38607000	8591963	Thermostatic cartridge, complete, incl. service tool
6	S600222	8239545	Temperature handle, complete
7	16222600	8438816	Cover plug for battery, black
8	34831750	8221810	Shower hose, 1,75 m
9	94760900	8221816	Hand shower
10	29900600	8224321	Flow limiter, constant flow 6 l/min at 200–600 kPa
10	29900900	8221809	Flow limiter, constant flow 9 l/min at 200–600 kPa
10	29901200	8224320	Flow limiter, constant flow 12 l/min at 200–600 kPa
11	16216500	8438815	Electronic unit

NO.	FMM NO.	RSK	DESCRIPTION
12	S600135	8483191	Battery
13	S600132	8438826	AC adapter
14	16202000	8221794	Solenoid valve
15	39090000	8221812	Hose kit, connection behind
16	S600025	8221869	Shower head, complete
17	409364.AE	8346506	Scalding protection ring, (max 42 °C)