

9000 concealed thermostatic mixer

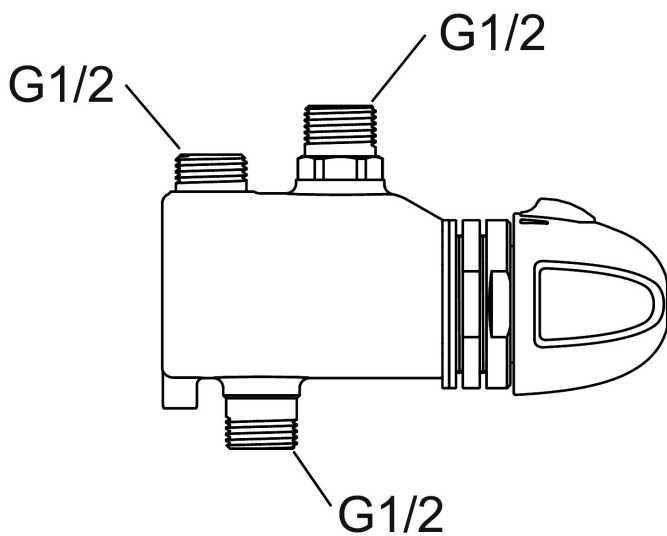
Article number: 92300000

Description: Chrome

- Pressure balanced thermostatic mixer
- With approved non-return valves
- For installation in worktop/bath (max. material thickness 12 mm)
- Temperature handle with safety stop at 38°C
- Approved non-return valves, EN-Standard EN1717
- Enclosure dimensions (with nipples):
 Depth: 82 mm
 Height: 100 mm
 Width: 45 mm

Unique characteristics

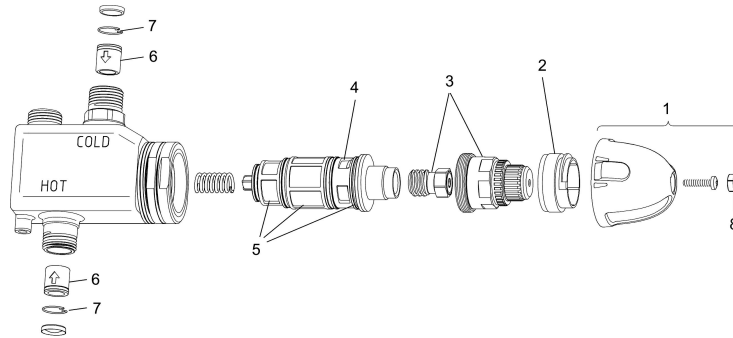
Backflow protection unit type 



PRODUCT DESCRIPTION

9000 concealed thermostatic mixer

Article number: 92300000



Sparepartlist

NO.	FMM NO.	RSK	DESCRIPTION
1	35940009	8591551	Temperature handle, chrome
2	38520007	8591592	Scalding protection ring, standard (black)
3	38663005	8591856	Headwork incl. spindle screw
4	38601009	8591609	Thermostatic cartridge, complete, incl. service tool
5	38680009	8591701	Filter kit incl. o-rings and service tool
7	37120000	8295342	Locking ring
8	39030000	8295347	End cover, chrome, 2 pcs