



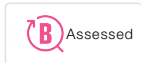
9000E II shower mixer


Safety mixer for shower in a new design. The stylish shape of the mixer supplements the unique functions and the environmental friendly aspect distinguishing the 9000E series. A cleverly engineered technique saves water and energy without compromising on comfort. Outlet down.

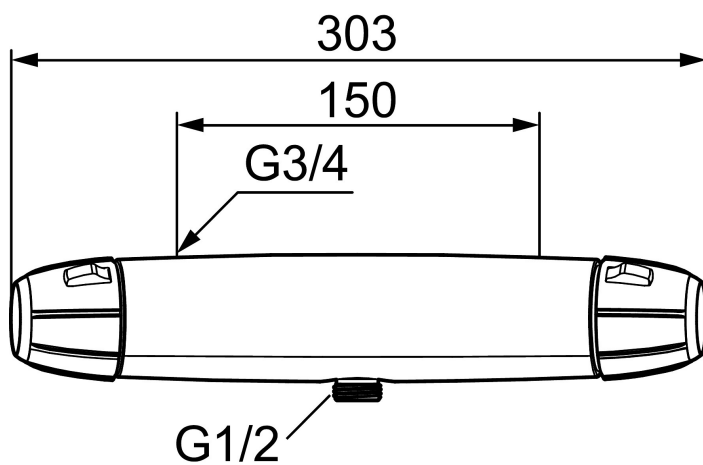
Article number: 82102500

Description: Chrome, 150 c/c

Unique characteristics



Backflow protection unit type 



- EcoSafe® mixer
- With shower connection down
- Pressure balanced thermostatic mixer
- With ceramic sealed headwork
- Temperature handle with safety stop at 38°C
- With Eco-function
- Approved non-return valves, EN-Standard EN1717